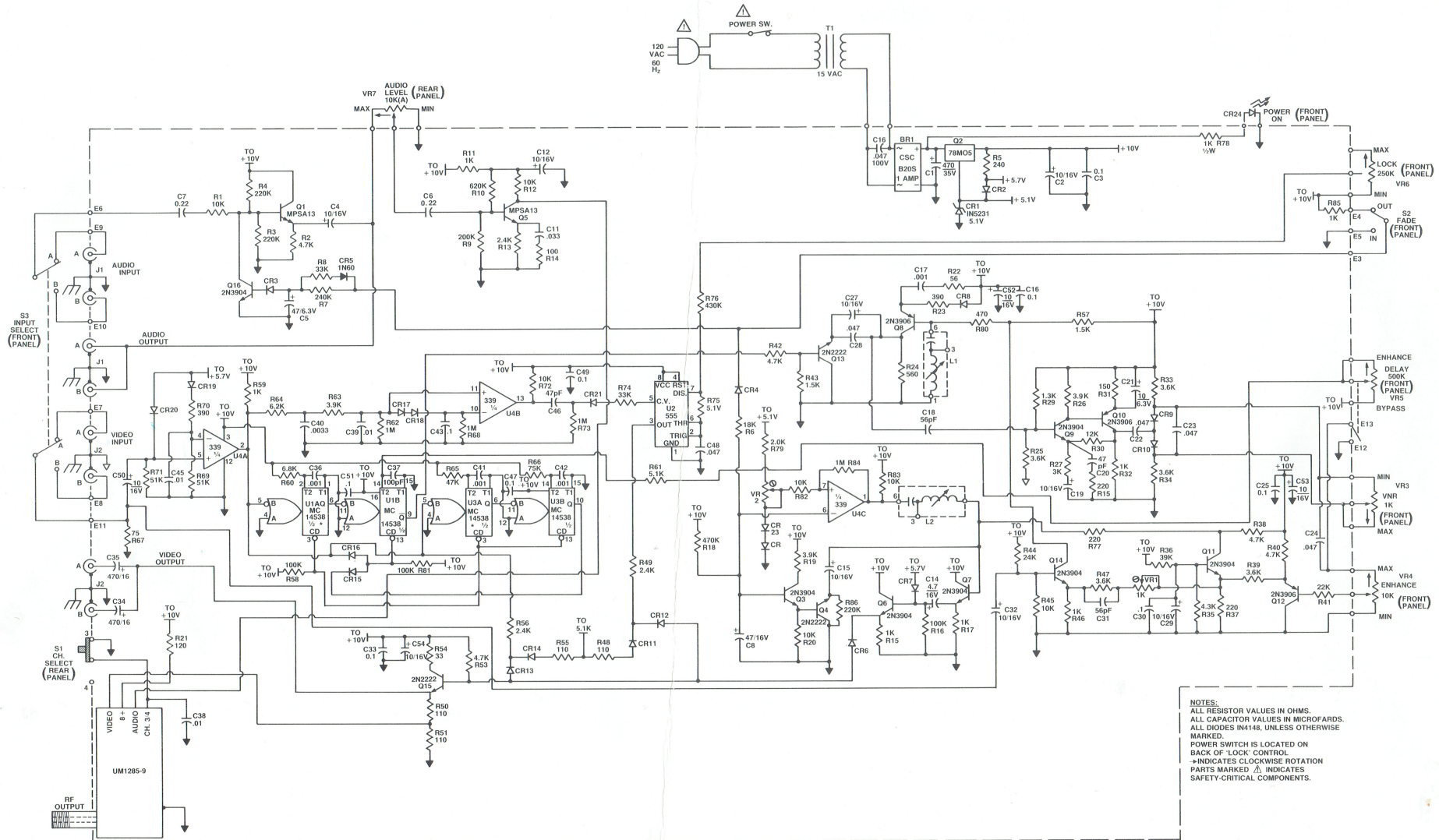


# SCHEMATIC



NOTES.  
 ALL RESISTOR VALUES IN OHMS.  
 ALL CAPACITOR VALUES IN MICROFARADS.  
 ALL DIODES IN4148, UNLESS OTHERWISE MARKED.  
 POWER SWITCH IS LOCATED ON BACK OF 'LOCK' CONTROL  
 + INDICATES CLOCKWISE ROTATION  
 PARTS MARKED  $\Delta$  INDICATES SAFETY-CRITICAL COMPONENTS.